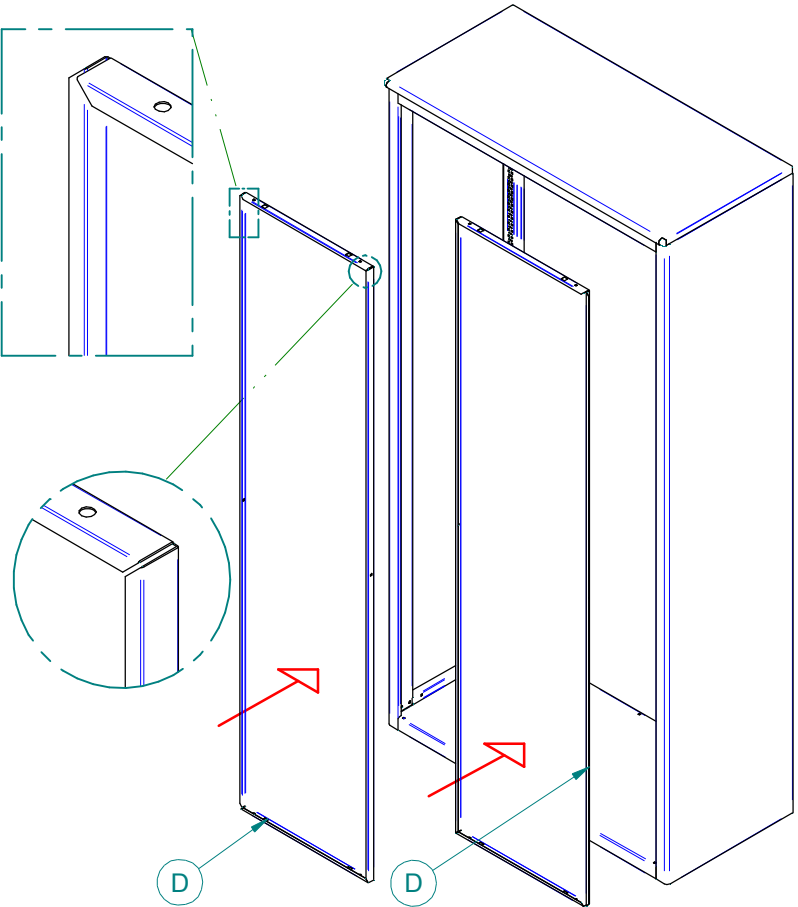


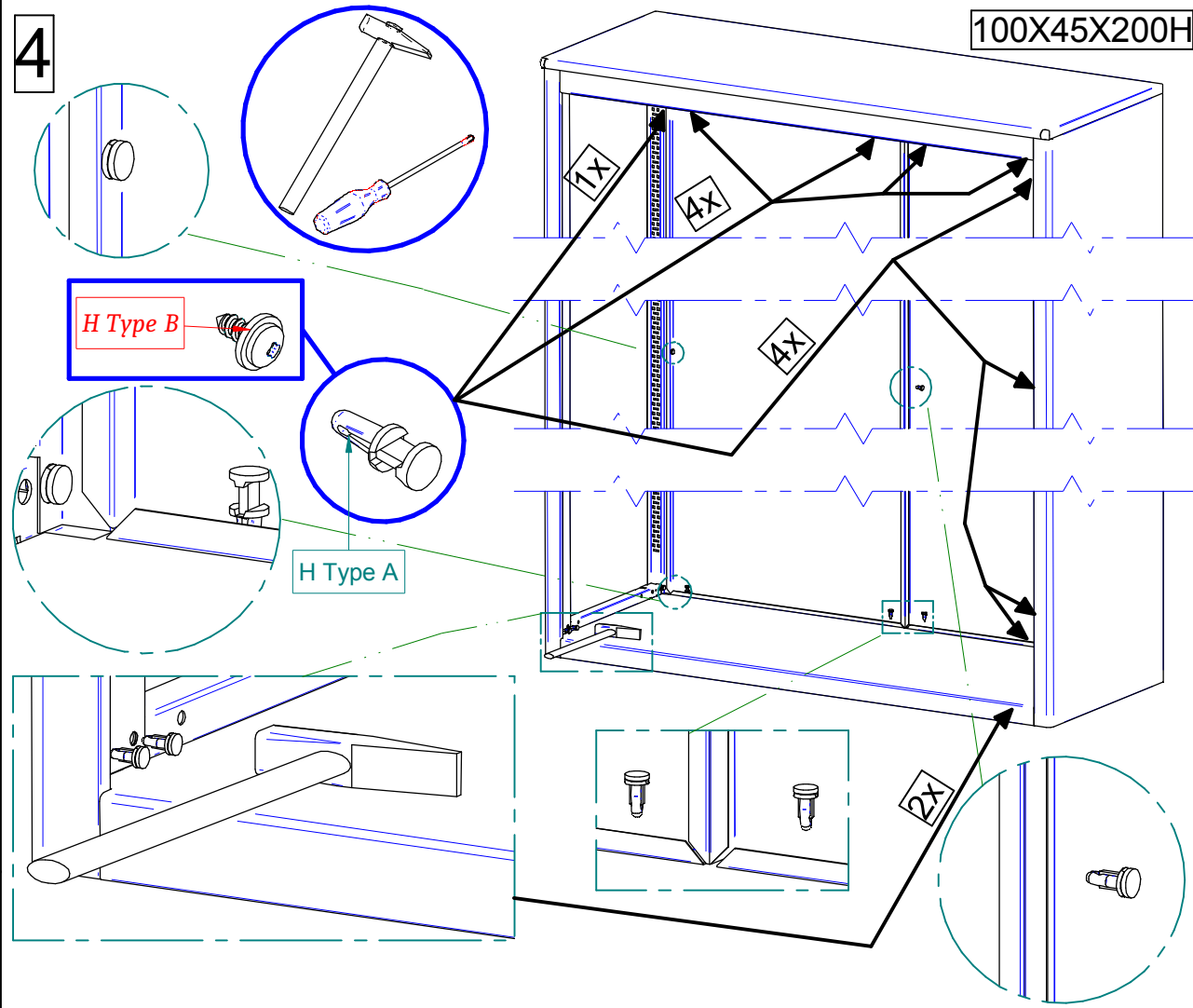
MOD.	H Type A	H Type B	I	L	M	N	O
100x45x200H	23	23	4	4	16	1	2
100x45x150H	23	23	4	4	12	1	2
100x45x116H	20	20	4	4	8	1	2
100x45x85H	20	20	4	4	4	1	2
100x45x75H	20	20	4	4	4	1	2
100x45x65H	20	20	4	4		1	2

100X45X200H

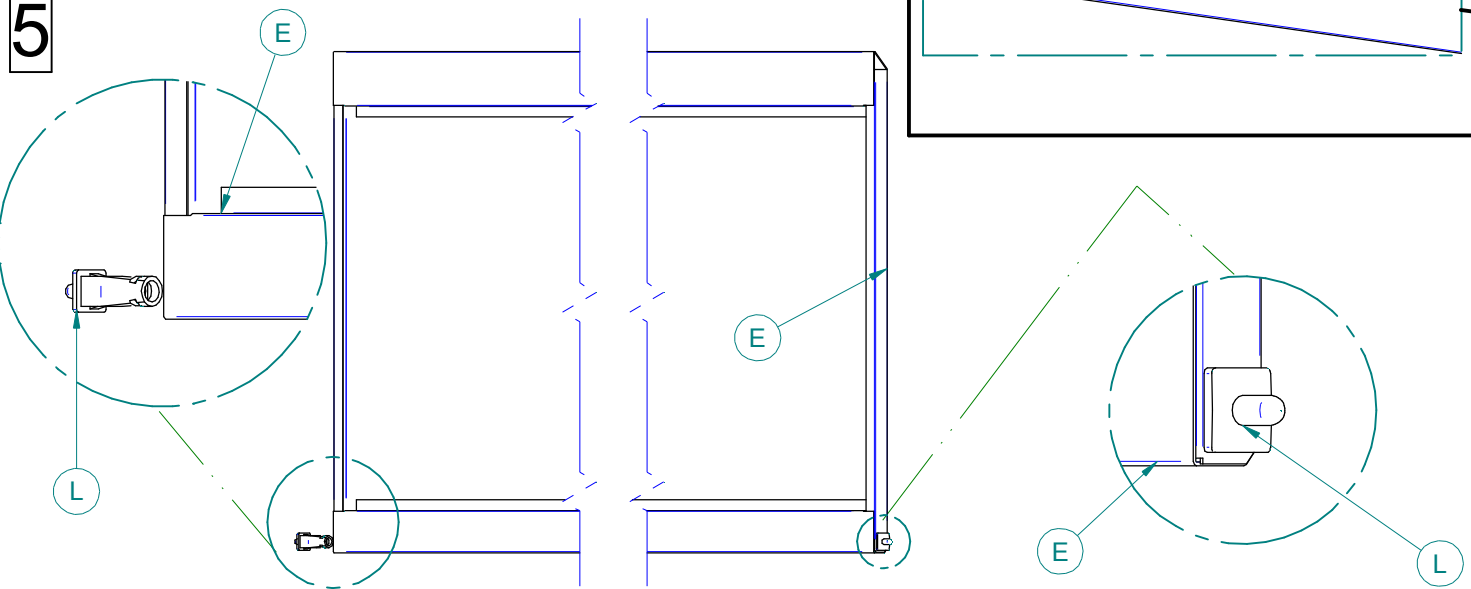
3



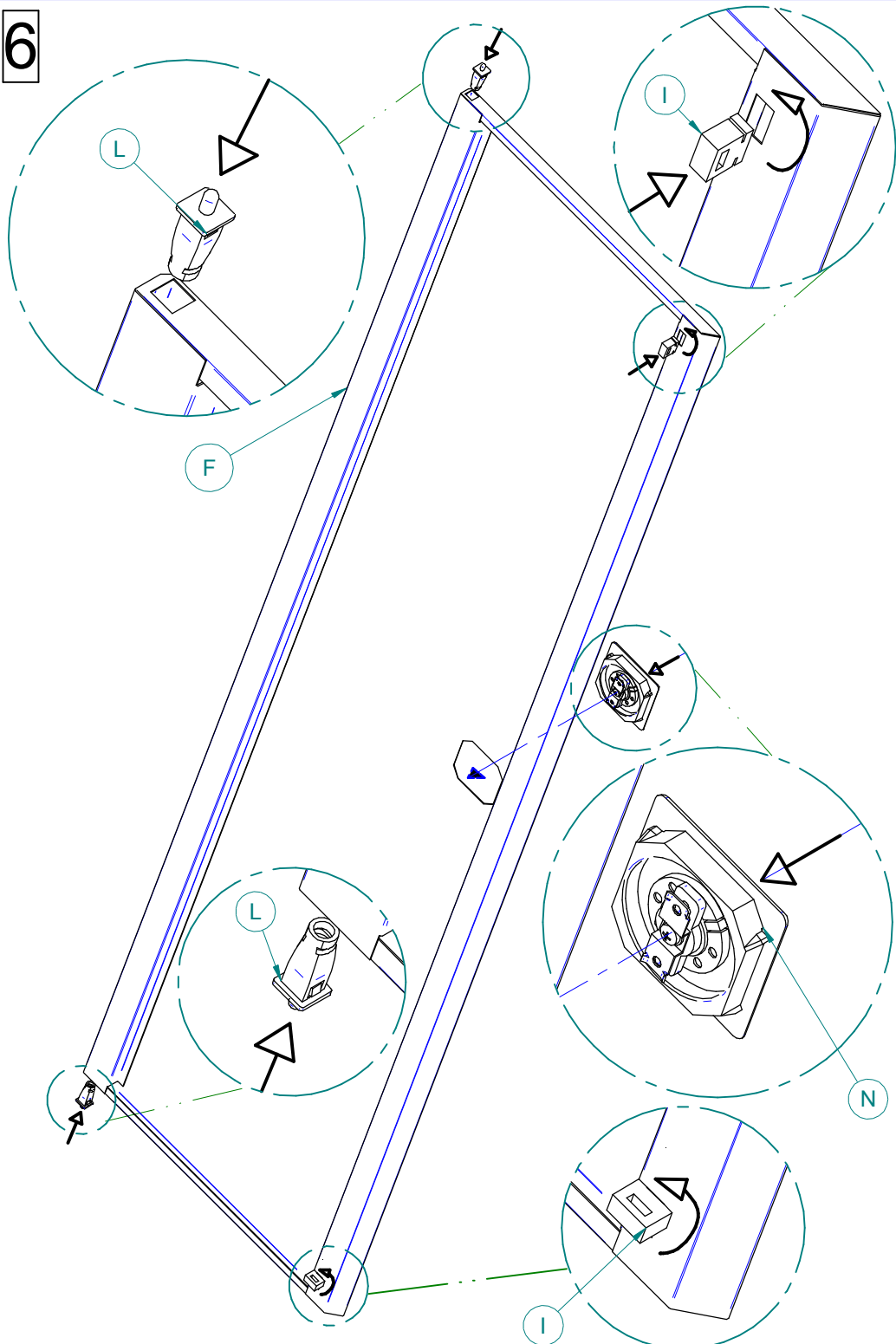
4



5



6



7

